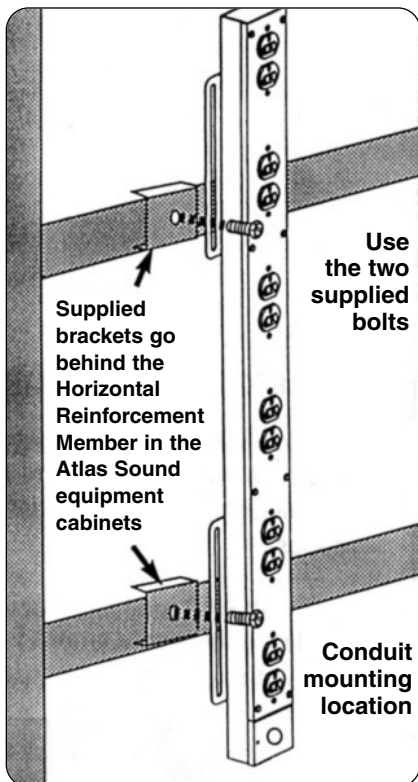
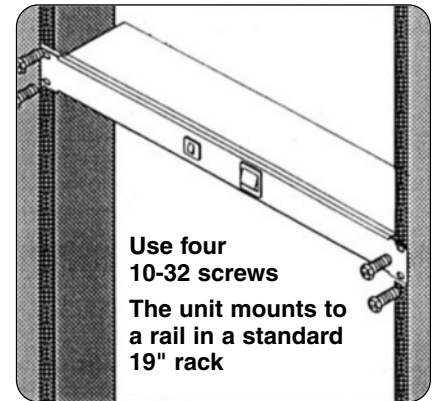
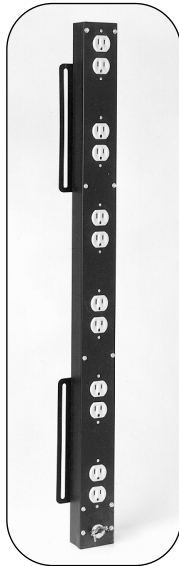
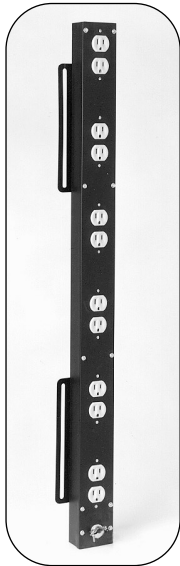




**ACS-1A
15 Amp**

**ACS-2A
20 Amp**

**ACRL-191A
15 Amp**



**ACRL-191A
Shown as example**

Subplate

UL Approved 1/2" Conduit Connector (not included)

Flexible Conduit (not included)

WIRING INSTRUCTIONS:

1. Remove subplate and pull the black, white & green wires from chassis.
2. Slide wires through & connect conduit to subplate.
3. Connect the black, white & green wires of the conduit & power strip, using wire nuts.
4. Mount subplate to chassis.



Specifications are subject to change without notice

www.AtlasSound.com

1601 JACK MCKAY BOULEVARD ENNIS, TEXAS U.S.A. • TELEPHONE: (800) 876-3332 • FAX: (800) 765-3435



RAC-9B
15 Amp



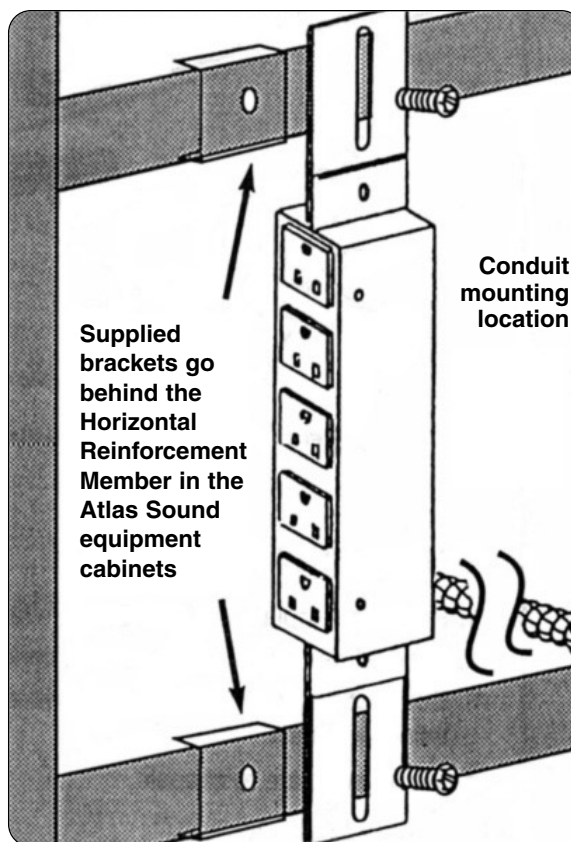
RAC-5B
15 Amp



WIRING INSTRUCTIONS:

Snap the end of the conduit cable into a UL Listed EO Box & wire 6" pigtail leads according to local codes

NOTE: All RAC models have 6' cables, short cords shown for illustration purposes.



Specifications are subject to change without notice



www.AtlasSound.com

1601 JACK MCKAY BOULEVARD ENNIS, TEXAS U.S.A. • TELEPHONE: (800) 876-3332 • FAX: (800) 765-3435